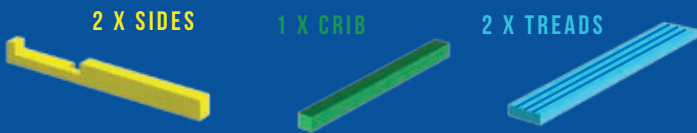


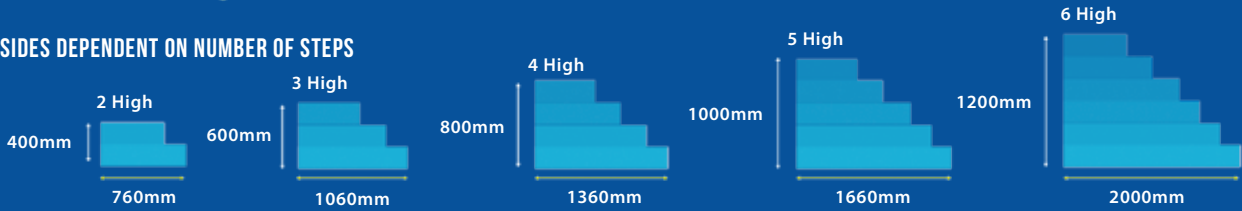
STEP INSTALLATION GUIDE

COMPONENTS PER LAYER

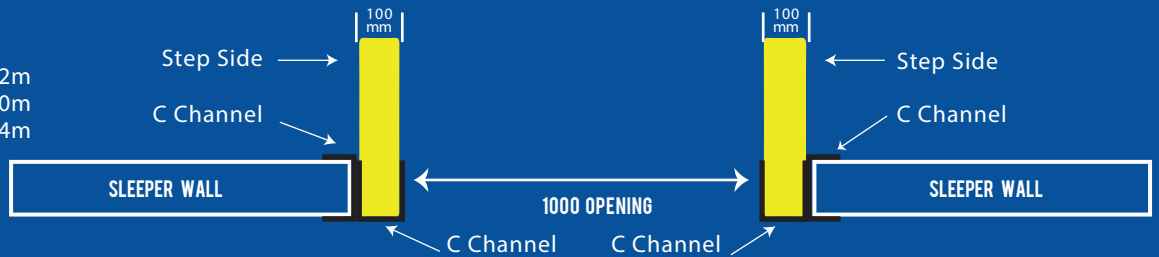


Cribs will require cutting to size for all step kits by the customer. Step kits can be made up to six layers high (1.2m high) and are available in widths of 1.2m, 2.0m & 2.4m.

LENGTH OF SIDES DEPENDENT ON NUMBER OF STEPS



1.0m opening + 200mm = 1.2m
1.8m opening + 200mm = 2.0m
2.2m opening + 200mm = 2.4m

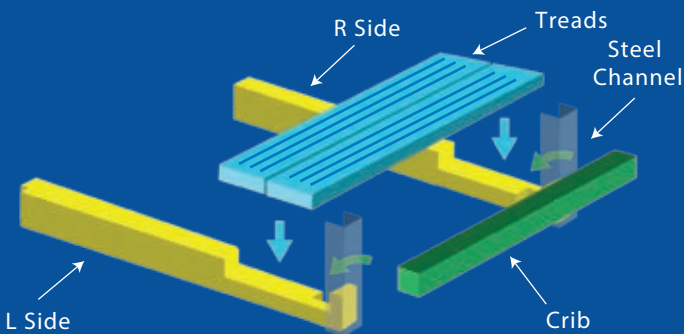


INSTALLATION OF A 600mm STEP KIT = 1.2m WIDE IN OPENING

1

FIRST LAYER

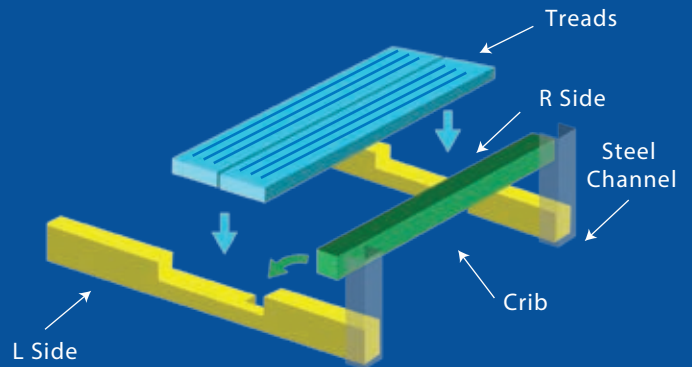
- Set steel at 1m opening (as per picture above).
- First place sides into C channels.
- Then Crib (cut as required).
- Then place the treads.
- Back fill under the steps.



2

SECOND LAYER

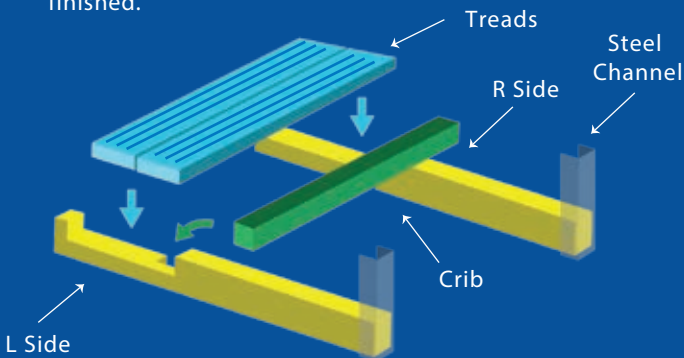
- First place sides into C channels.
- Then Crib (cut as required).
- Place the treads.
- Back fill under the steps.



3

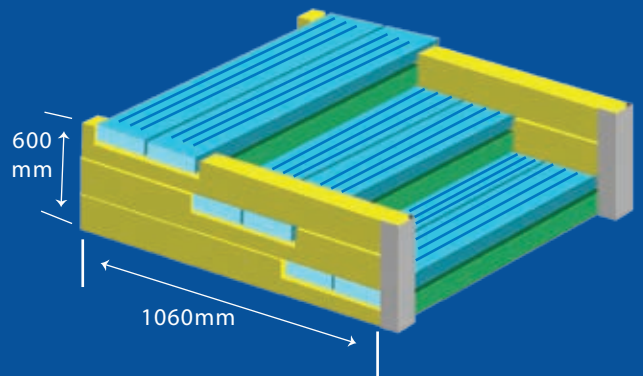
THIRD LAYER

Repeat instructions 1 & 2 until all step components are finished.



4

FINISHED 600mm HIGH STEP KIT 1.2m WIDE
3 high step assembly shown.



STEP KIT INSTALLATION GUIDE

- * Note * It is not necessary to put steel at the back of the step kit.
- * A concrete footing may be required to keep steps level.
- * Back fill steps as you install each layer to hold them in place.